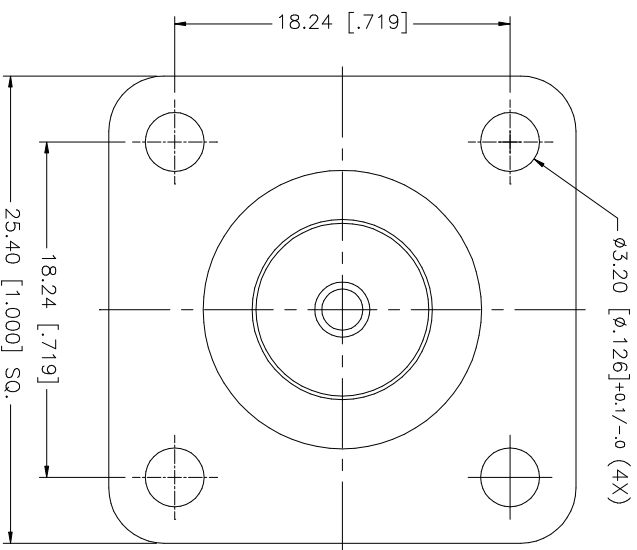
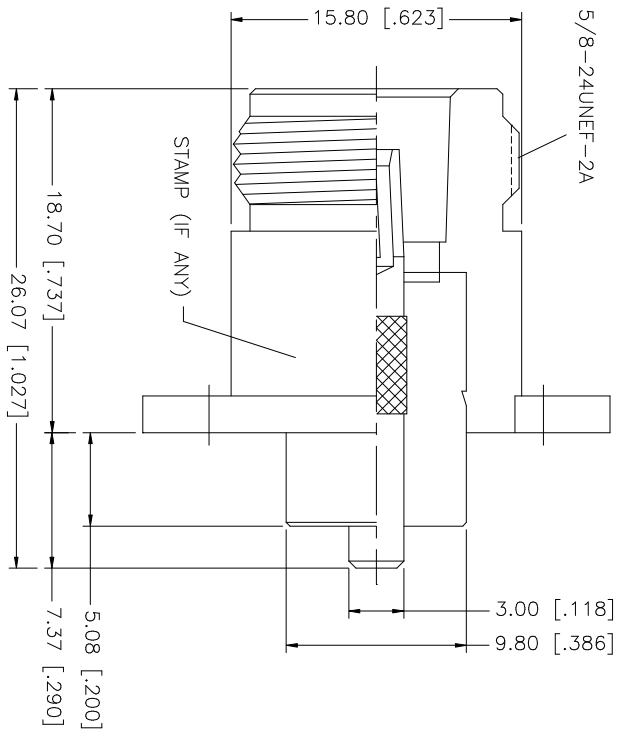


REV.	DATE	DESCRIPTION
A	12/12/03	UPDATE DRAWING FORMAT



QTY	FINISH	MATERIAL	DESCRIPTION
1	NATURAL	TEFLON	INSULATOR
1	NEKOTE	BRASS	BODY
1	GOLD	BER. COPPER	CONTACT PIN

UNLESS OTHERWISE SPECIFIED DIMENSIONS ARE IN MILLIMETERS. DIMENSIONS IN [ ] ARE IN INCHES AND FOR CUSTOMER REFERENCE ONLY.	UNLESS OTHERWISE SPECIFIED TOLERANCES FOR MILLIMETERS ARE:	UNLESS OTHERWISE SPECIFIED TOLERANCES FOR INCHES ARE:
0.5 - 8mm ± 0.20mm	8 - 30mm ± 0.40mm	30 - 120mm ± 0.50mm
UNLESS OTHERWISE SPECIFIED TOLERANCES FOR INCHES ARE:		
.020 - .315 = ± 0.007"	.315 - 1.180 = ± 0.015"	1.180 - 4.724 = ± 0.020"
DO NOT SCALE DRAWING		

APPROVALS	DATE
DRAWN G.R.S.	12/12/03
CHECKED	
ISSUED	
SHEET 1 OF 1	

CAD FILE C:/172/172228.DWG	DWG. NO. 172228.DWG	REV. NC	SIZE A	SCALE NA
----------------------------	---------------------	---------	--------	----------

**Amphenol Connex**

PART DESCRIPTION  
N PANEL RECEPTACLE JACK  
(EXTENDED TEFLON .200-.290)

PART NO. 172228